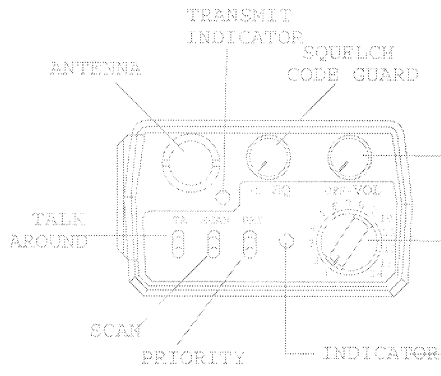
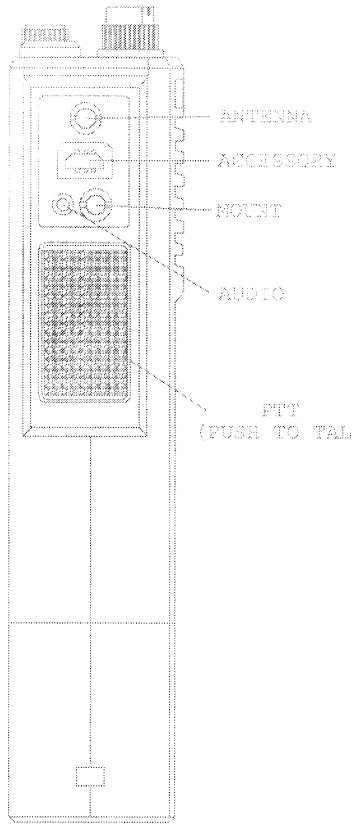
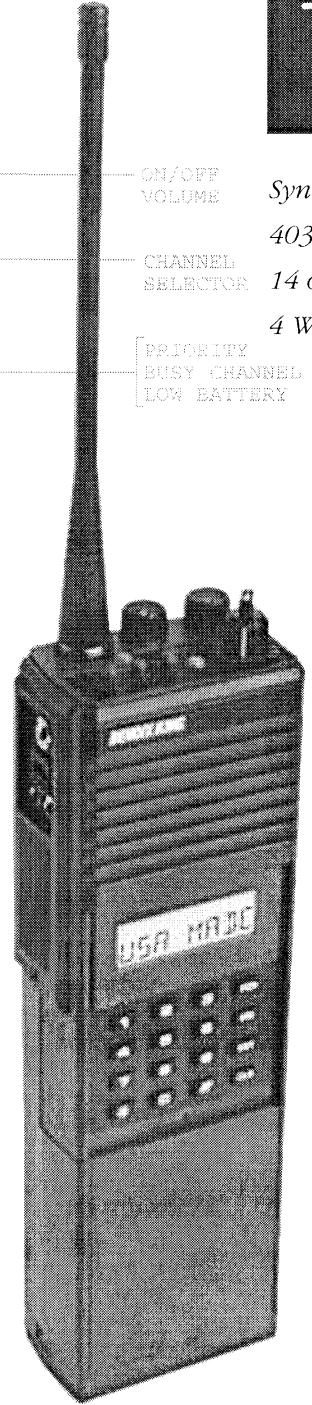
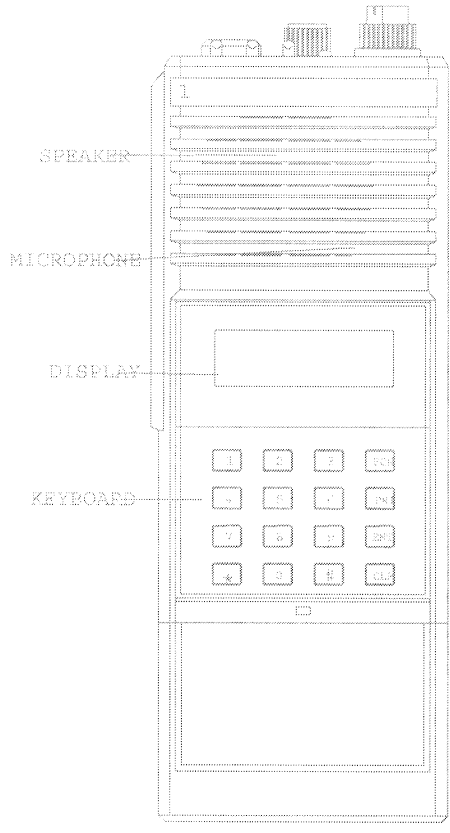


# EPV



- ON/OFF VOLUME
- CHANNEL SELECTOR
- PRIORITY BUSY CHANNEL LOW BATTERY


*Synthesized FM Portable Radio*  
 403-457 MHz  
 14 or up to 210 Channels  
 4 Watts RF Power



**P**owerful. Innovative. Rugged and reliable. The Bendix/King EPV series delivers a 26 MHz operating frequency spread, PC programmability and cloning, ultra-low battery drain and built-in CTCSS/CDCSS. Discover Bendix/King.

Synthesized FM Portable Radio  
 403-457 MHz  
 14 or up to 210 Channels  
 4 Watts RF Power

# EPV

MODEL NUMBER	Lexan Metal	EPV 414 0A EPV 414 0M	EPV 499 2A EPV 499 2M	EPV 499 SL EPV 499 SM			
Frequency - MHz		403-457	403-457	403-457			
Channels		14	210	210			
RF Output - Watts		4	4	4			
Scan		INCL.	INCL.	INCL.			
Keyboard		--	INCL.	INCL.			
Alphanumeric LCD		--	INCL.	--			
DTMF Encode		--	INCL.	INCL.			
DTMF ANI		INCL.	INCL.	INCL.			
Signalling Options		--	--	--			
Battery Life (5 - 5 - 90%)							
Std. NiCd (LAA 0121) - hrs.		6	6	6			
Lrg. NiCd (LAA 0125) - hrs.		12	12	12			
Channels Increments - kHz		12.5/25	12.5/25	12.5/25			
<b>GENERAL</b>		<b>ALL MODELS</b>		* Signalling Options: 2-TONE DECODE, 5-TONE DECODE, SCRAMBLING * Standby Current Drain with Options - mA: 31			
Operating Voltage		10 V. NOM.		<b>TRANSMITTER</b> RF Output Power - Watts 4 Operating Frequency Spread - MHz 54 Modulation 15K0F2D 16K0F3E 16K0FXE  Spurious and Harmonics - dB 60 Hum and Noise - dB (per EIA) 43 Audio Distortion - % 3 Audio Response (per EIA) - dB +1/-3			
Code Guard Squelch (CTCSS & CDCSS)		INCLUDED					
Multiple Code Guard Squelch		INCLUDED					
Time Out Timer		INCLUDED					
Operating Temperature - C°		-30 TO +60					
Size- W x D x H (in.) Std. Battery		2.55 x 15. x 6.6					
Lrg. Battery		2.55 x 1.5 x 7.8					
Weight (oz.) Std. Battery		20					
Lrg. Battery		24					
Standby Current Drain - mA		21*					
Antenna		BIAS WOUND MOLDED					
Stability - PPM		±5					
Channel Spacing - kHz		25					
<b>STANDARDS</b>		<b>MIL-STD 810</b>		<b>RECEIVER</b>  Sensitivity: 12 dB Sinad - uV .30 Operating Frequency Spread 54 Selectivity - dB 70 Spurious including Image - dB 70 Intermodulation - dB 65 Audio Output - mW @ 5% dist. 500 Audio Response (per EIA) - dB +1/-3			
		C	D		E		
	Mthd.	Proc.	Mthd.		Proc.	Mthd.	Proc.
Low Pressure	500.1	1	500.2		1	500.3	1
High Temp.	501.1	1 & 2	501.2		1 & 2	501.3	1 & 2
Low Temp.	502.1	1	502.2		1 & 2	502.3	1 & 2
Temp. Shock	503.1	1	503.2		1	503.3	1
Solar Radiation	505.1	1	505.2		1	505.3	1
Humidity	507.1	2	507.2		2	507.3	2
Dust	510.1	1	510.2		1	510.3	1
Vibration	514.2	8 & 10	514.3	1	514.4	1	
Shock	516.2	1, 2 & 5	516.3	1 & 4	516.4	1 & 4	
Metal Case models only:							
Rain	506.1	1 & 2	506.2	1 & 2	506.3	1 & 2	
Salt Fog	509.1	1	509.2	1	509.3	1	
Unit meets U.S. Forest Service vibration and EIA RS-316B vibration and shock specifications.							
				FCC Type Acceptance ASY 90Q LT 30001 Parts: 22, 74, 90 Measurements made in accordance with applicable EIA standards. Bendix/King and the Bendix/King logo are registered trademarks of AlliedSignal, Inc., U.S. Patent & Trademark Office. BANDTRAC and CODE GUARD are Trademarks of BK Radio, Inc. © 1993 BENDIX/KING Form# 1193-EPV-LPS			
				 <b>BK RADIO, INC.</b> 7505 TECHNOLOGY DRIVE, WEST MELBOURNE, FL 32904 <b>800-648-0947</b> <b>(407) 984-1414 • Fax (407) 984-0434</b> <b>www.relm-comm.com</b>			